

4) Associate IntellyModem to the In-house Display provided with the kit (IM-KIT) or use a “dummy” In-house Display (IM-0E)



Acting on the In-house Display, follow the path: **Menu / Radio Management / Open radio network**. Confirm the network opening by pressing button under the “OK” icon



After a few seconds, the writing “Network Open” appears. Keep the network open since IntellyModem has joined the network

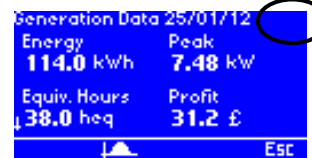
NB: If there are problems in the association of the device, refer to paragraph Manual Disassociation, then repeat step 4.

5) Close the radio network from the In-house Display



By acting on the Remote Display, press the button under the “OK” icon to confirm the closure of the radio network. Go back to the main screen.

6) Check the radio connection



Signal of the Radio Transmitter for the Generation Meter

ATTENTION! The In-house Display will show the data 2 minutes after the Radio Transmitter has joined the network

IF NECESSARY, INSTALL ONE OR MORE ADDITIONAL REPEATER

7) Set the “Watt per Pulse” parameter related to the generation meter



Acting on the In-house Display, follow the path: **Menu / Parameters / Wh per pulse**. Set the correct value.

For most installation, the default value (1.0 Watt per Pulse) is the correct choice. On the contrary, follow the GENERAL PROCEDURE below:

• Set the value 1,0 Wh/pulse

- Compare the data shown on the In-house Display with the data reported by the inverter(s). The possible difference in between the 2 information must range within 10 -15 % tolerance.
- If the difference is bigger, then divide the amount of “generated energy” reported by the inverter(s) for the “current energy” shown on the In-house Display main screen
- Set the Wh/pulse parameter entering one of the following options (1,0 - 2,5 - 5,0 - 10,0) , selecting the value which is the closest to the result of the calculation performed at the previous point

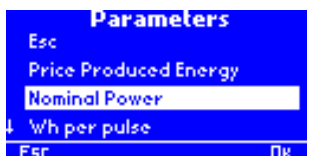
8) Align the “Generation Counter” value with the one read from the generation meter



Acting on the In-house Display, follow th path: **Menu / Parameters / Set Generation Counter**

Enter the exact value reported by the generation meter

9) Set the “Nominal Power” parameter



Acting on the In-house Display, follow th path: **Menu / Parameters / Nominal Power**.

Enter the exact value reported by the official intallation description

10) Enter the “Minimum Power Threshold” parameter in case the system reports energy generation during the night



Acting on the In-House Display, follow the path: **Menu / Parameters / Minimum Power Threshold**

Enter a threshold level slightly bigger than the night consumption of inverter(s)

ATTENTION: If the inverters are switched on at night, they consume energy. However, this energy would be wrongly considered as “generated” energy.

11) Set the other parameters (Date/Hour, price of energy, etc)



Acting on the In-house Display, enter the missing parameters, following the appropriate paths.

For a successful installation, set:

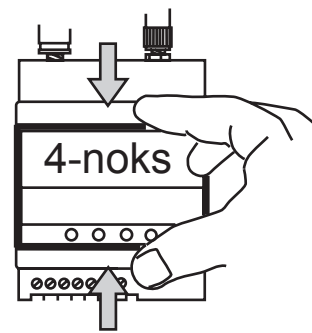
- current day / hour (Menu/Set Date-Time
- price of generated energy (Menu/Parameters/Price Produced Energy

MANUAL DISASSOCIATION PROCEDURE

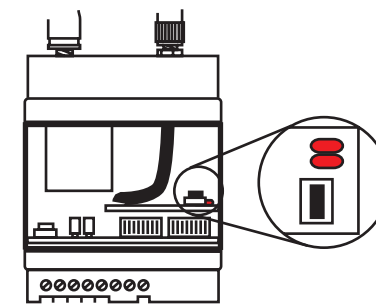
7KH1ROORZLSURFHGUHZL00EHFHVVDUROLIRKDYHWRERHFW\WHOO0RGHPWRDZHGGPP5HPRWH□
LVSOD□

- Ùe { oçelt@elcoçe:ib^à] iessi} *fo}it@elto]a) àlbotto { À, it@it, ol-i} *e:s
- Ùiessk-o:à]È]àseco}asit@elb^tto}itokt@elk^*@tlo}it@elto]àboa:iaèVokacc^l'ate]~]locatek@elb^tto}Èk:e-è:itokt@el]aità o-!èa!S00s!]]aceàk^*stàc]oseè!

a) remove the cover



b) press the button



WARNING: If you use a “dummy” Remote Display, make sure that the firmware version is V1059 or later.

The latest version of the firmware of the Remote Display is available on the website www.4-noks.com/GRZORDG

+05T409391R1.1 IntellyModem Quick Guide EN 20/11/2015

4-noks®

Via Per Sacile, 158 - Francenigo di Gaiarine (TV)
Tel. (+39) 0434 768462 Fax (+39) 0438 694617
info@4-noks.com www.4-noks.com

IntellyModem

Quick Guide

- 1 IntellyModem
- 2 External GPRS antenna
- 3 Power supply transformer
- 4 Optical interfaces
- 5 In-house Display (optional)

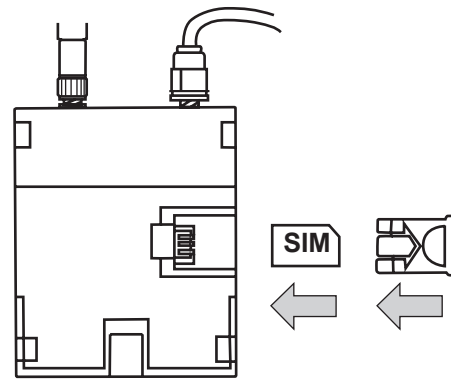
Intellygreen®
pv

4-noks®

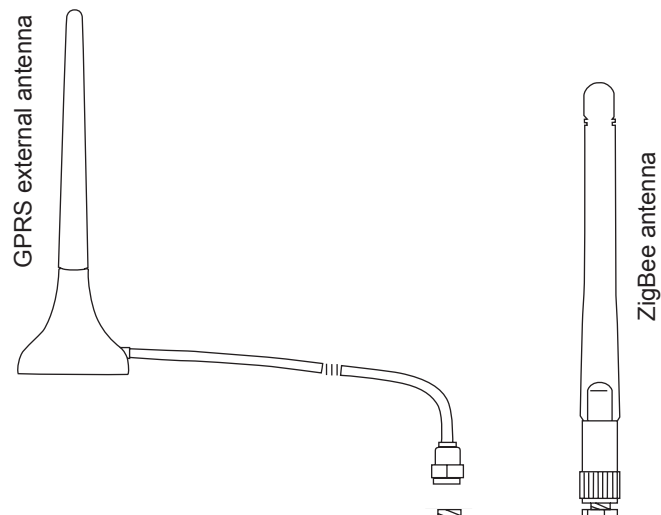
WHAT TO DO

1) Insert the SIM card

- make sure the device is not powered
- make sure the PIN number is NOT active (stick the SIM card into any mobile phone and deactivate the PIN code)
- remove the lid on the backside of the device
- place the SIM card as shown below, then slide the lid in the original position



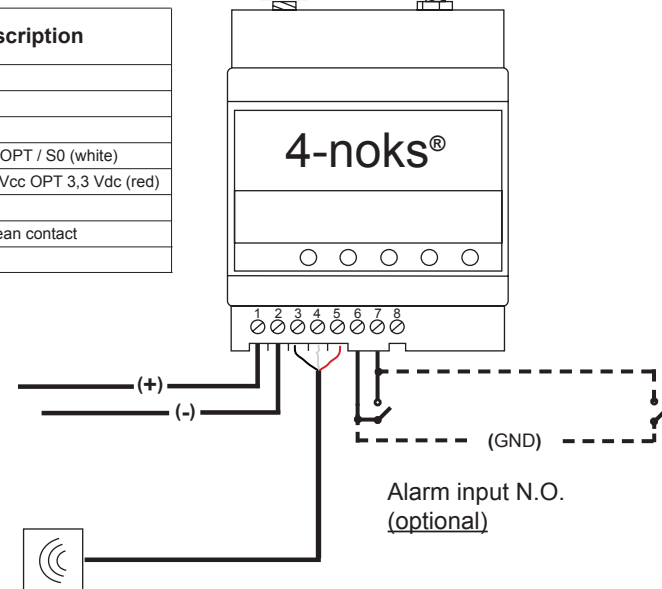
2) Install and supply IntellyModem



Clamp	Description
1	+5 Vdc / 2,5 A
2	GND
3	GND (black)
4	pulse counter input OPT / S0 (white)
5	pulse counter OUT Vcc OPT 3,3 Vdc (red)
6	GND alarm
7	Alarm input N.O. clean contact
8	Do not wire

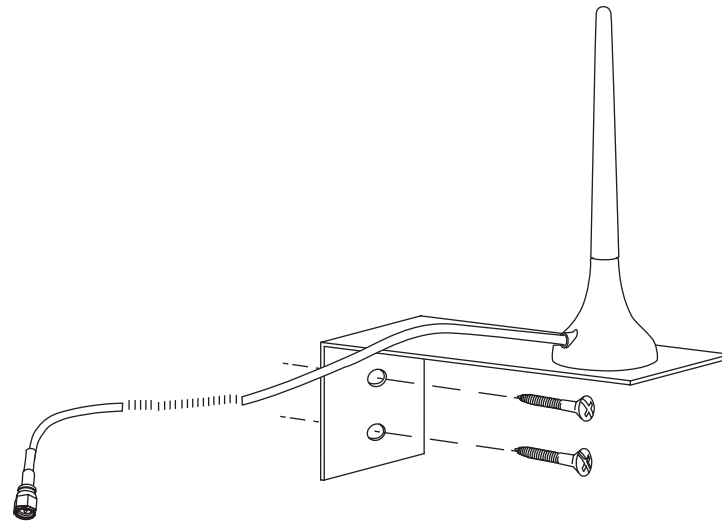
Supply wiring

Optical Interface wiring



ATTENTION: if the pulse counting is performed with the S0 output, then wire clamps 3 and 4.

MOUNTING THE GPRS ANTENNA



The purpose of the external antenna is to improve the GPRS signal reception

Mount the antenna as follows:

- place and mount the metal stirrup in a suitable position (please take note of the suggestions provided!)
- place the magnetic base of the antenna on the metal stirrup
- as an alternative use the adhesive Velcro provided to place the antenna
- rollout the wire
- screw in the antenna cable connector to the Intellymodem connector highlighted by a red sticker

ATTENTION! Mind the following notes when installing the GPRS antenna:

- place it far from metal structures
- place it outside of electrical boxes
- avoid completely sealed areas or rooms without windows/doors
- keep the IntellyModem antenna at least 20 cm away from the generation meter
- place IntellyModem in an elevated position (at least 1,5 m from the ground)

3) Check the LED status and make sure the device is working properly

Once the device is powered, wait 15 seconds for the LED ERROR to stop blinking and check the LED status (see the scheme below)

LED	Description	Diagnostics
PWR	power supply	LED is lit: IntellyModem is properly supplied
NET	SIM card read status	Blink every 2 seconds: read OK Blink every second: read error
SIG+	GPRS signal level high	SIG+ off SIG- on = GPRS signal level: LOW
SIG-	GPRS signal level low	SIG+ on SIG- on = GPRS signal level: MEDIUM SIG+ on SIG- off = GPRS signal level: HIGH
ERROR	General system ERROR	IntellyModem transmission error

IntellyModem is provided with an internal button (P1) that permits to register the device to the portal in case of unsuccessful registration (for external causes). To trigger this action, press the internal button until the LED ERROR remains steadily lit (around 6 seconds). To access the internal button, remove the frontal lid. The button is located to the lower-left side of the device.

INTELLYMODEM: MOUNTING SCHEME

