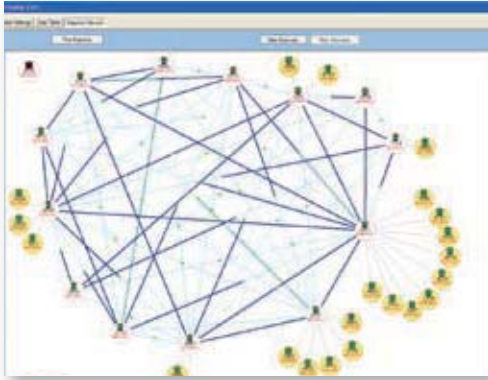


## Z-CONFIG-M

### Z-Config sniffer for ZB-Connection network



#### Key Features

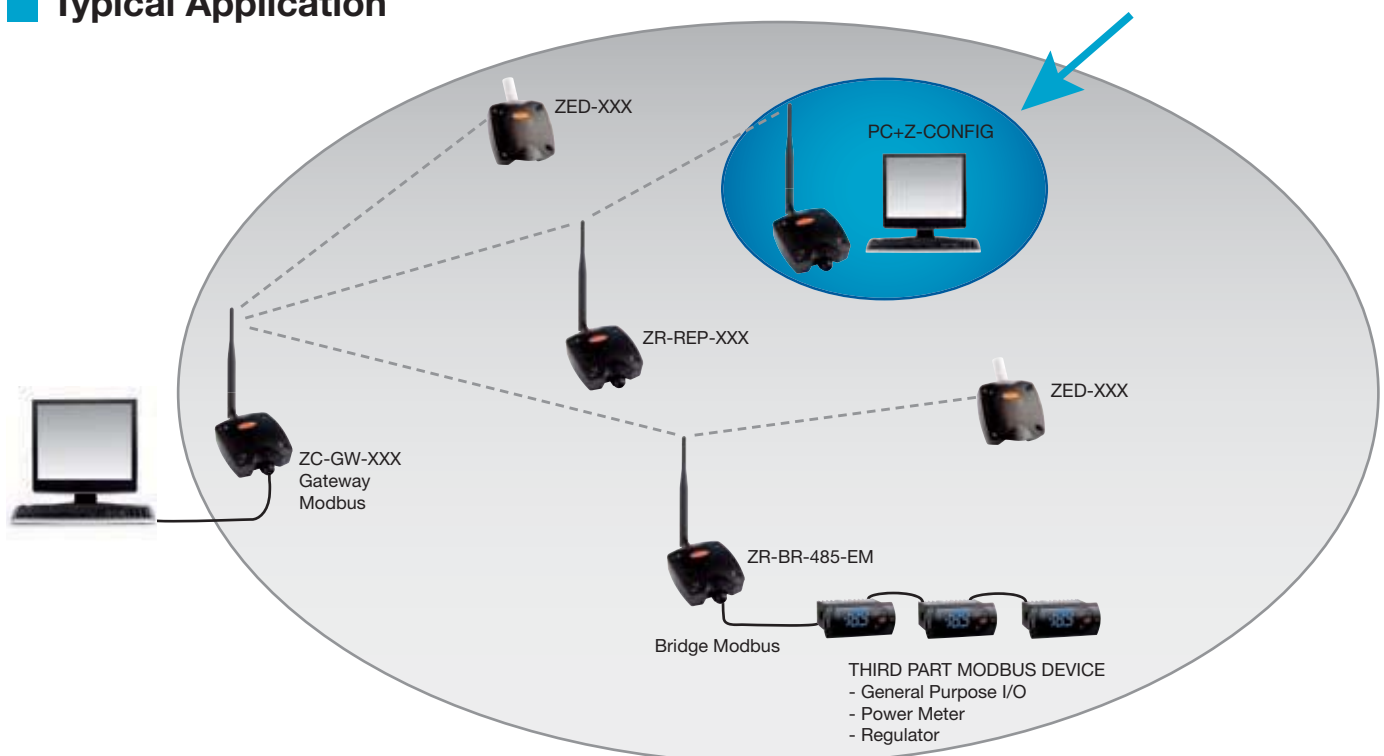
- Non-invasive ZB-Connection network analysis
- Works with specific Usb device
- Detections of weaknesses in the network infrastructure

Z-Config (Sniffer version) is a software for personal computers that allows analysis of ZB-Connection networks. Z-Config allows you to view in graphic form the quality of radio connections between routers that make up the network.

The program works in conjunction with a specific Usb device which constitutes the interface between program and devices that form radio network.

With information obtained in graphic form by Z-Config you can identify weakness in the network, therefore it represents a useful tool in the test phase of the installation.

#### Typical Application



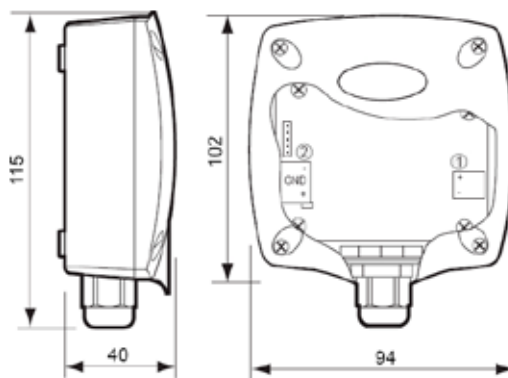
## Z-Config Technical Specs

<b>Required operative systems</b>	Microsoft Windows XP, Vista
<b>Framework</b>	DotNetFramework version 2.0
<b>System Requirement</b>	Pentium 133 MHz or faster 256 MB or higher Video: 800 x 600, 256 colors; recommended: High Color 16-bit 10 GB hard disk space

## USB Device Technical Specs

<b>General characteristics</b>	Chip Ember EM2420 Compatible IEEE 802.15.4 Stack EmberZnet 3.4.x (ZigBee PRO) Modbus/RTU
<b>RF characteristics</b>	Frequency: 2405 MHz ÷ 2480 MHz Modulation: DSSS Nominal transmission power: 1mW (0 dBm) Reception sensitivity: -92 dBm Extern antenna Gain: 5,5 dB Coverage outdoor/indoor: 100m/30m
<b>Supply</b>	+5Vdc from USB; 100mA
<b>Connections</b>	USB 2.0
<b>Environment parameters</b>	Operating temperature: -10 ÷ +60°C; <80% U.R. not condensing Storage temperature: -20 ÷ +70°C; <80% U.R. not condensing Degree of protection: IP 50
<b>Compliant with 2006/95/EEC, 89/336/EEC, 99/5/EEC directives Reference Norms:</b>	ETSI EN 300 328: Radio Compatibility for digitals wide band transmissions ETSI EN 301 489: Radio Compatibility EN 61000-6-2: Electromagnetic Compatibility - Emissions EN 61000-6-3: Electromagnetic Compatibility - Immunity EN 60950-1: Electric Safety

## USB Device Dimensions (mm)



Rev 2.4 30/09/2009

 **ZB-Connection** is a 4-noks brand

4-noks is a  **ZigBee**  
Member

**4-noks**

4-noks s.r.l.  
Via Dei Gelsi, 19  
31010 Godega di Sant'Urbano - Treviso - Italy  
Tel. (+39) 0438.1910013  
info@4-noks.com - www.4-noks.com

**4-noks Distributor:**

