

ZR-REP-E230M Powered ZigBee Repeater

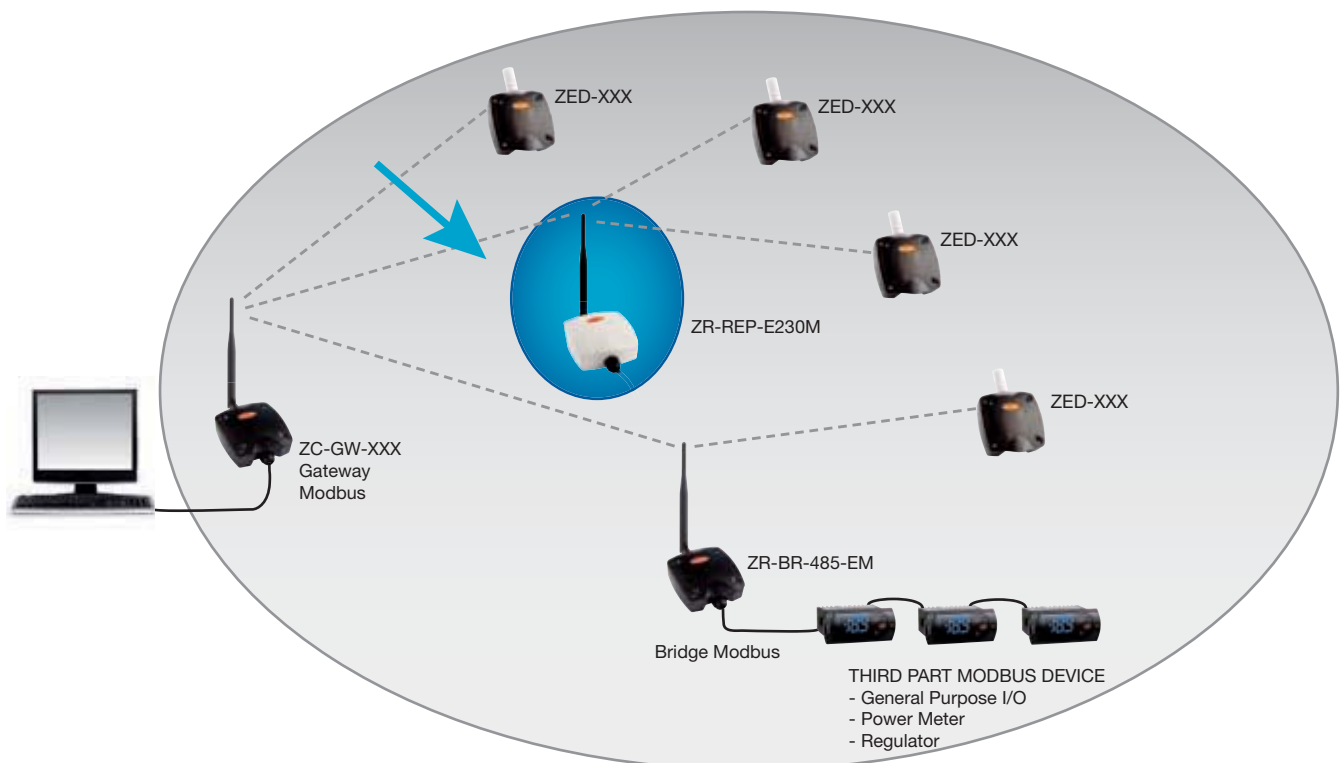


Key Features

- Repeating ZigBee messages between devices with poor link or out of coverage
- Routing function
- RF power 10mW
- External antenna
- 230Vac power supply

ZR-REP-XX has the function to extend the radio range of devices making possible to cross obstacles or long distances; it can also act as a parent device for battery-powered sensors of the same family. It doesn't need any other connections but the supply one.

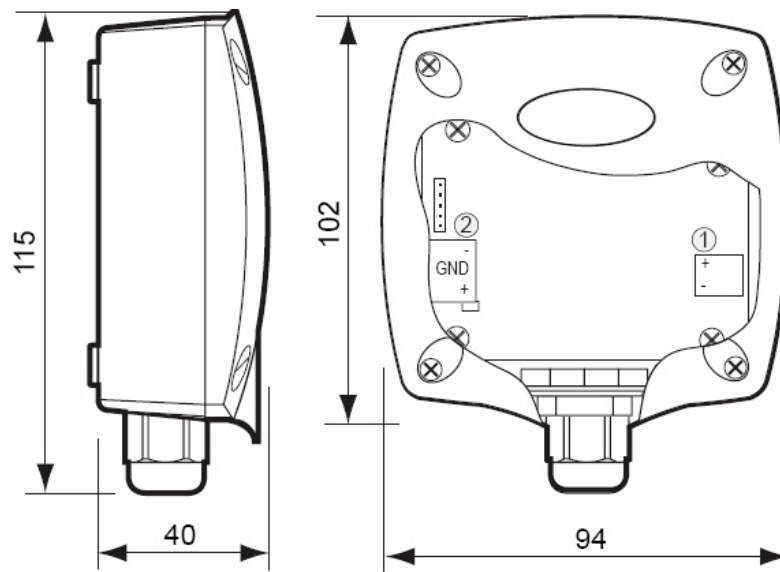
Typical Application



Technical Specs

General characteristics	Chip Ember EM250 Compatible IEEE 802.15.4 Stack EmberZnet 3.4.x (ZigBee PRO) Modbus/RTU
RF characteristics	Frequency: 2405 MHz ÷ 2480 MHz Modulation: DSSS Nominal transmission power: 10mW (10 dBm) Reception sensitivity: -97 dBm Extern antenna Gain: 5,5 dB Coverage outdoor/indoor: 200m/50m
Supply	230Vac (±10%); 20mA; 50/60Hz
Connections	Bipolar Plug for CEI EN50075 with 2m cable
Environment parameters	Operating temperature: -10 ÷ +60°C; <80% U.R. not condensing Storage temperature: -20 ÷ +70°C; <80% U.R. not condensing Degree of protection: IP 55
Compliant with 2006/95/EEC, 89/336/EEC, 99/5/EEC directives Reference Norms:	ETSI EN 300 328: Radio Compatibility for digitals wide band transmissions ETSI EN 301 489: Radio Compatibility EN 61000-6-2: Electromagnetic Compatibility - Emissions EN 61000-6-3: Electromagnetic Compatibility - Immunity EN 60950-1: Electric Safety Insulation: Class II

Dimensions (mm)



Rev 2.4 30/09/2009

 **ZB-Connection** is a 4-noks brand

4-noks is a  **ZigBee**
Member

4-noks

4-noks s.r.l.
Via Dei Gelsi, 19
31010 Godega di Sant'Urbano - Treviso - Italy
Tel. (+39) 0438.1910013 - info@4-noks.com

4-noks Distributor:

