

ZED-TCM-M

ZigBee remote control thermostat



Key Features

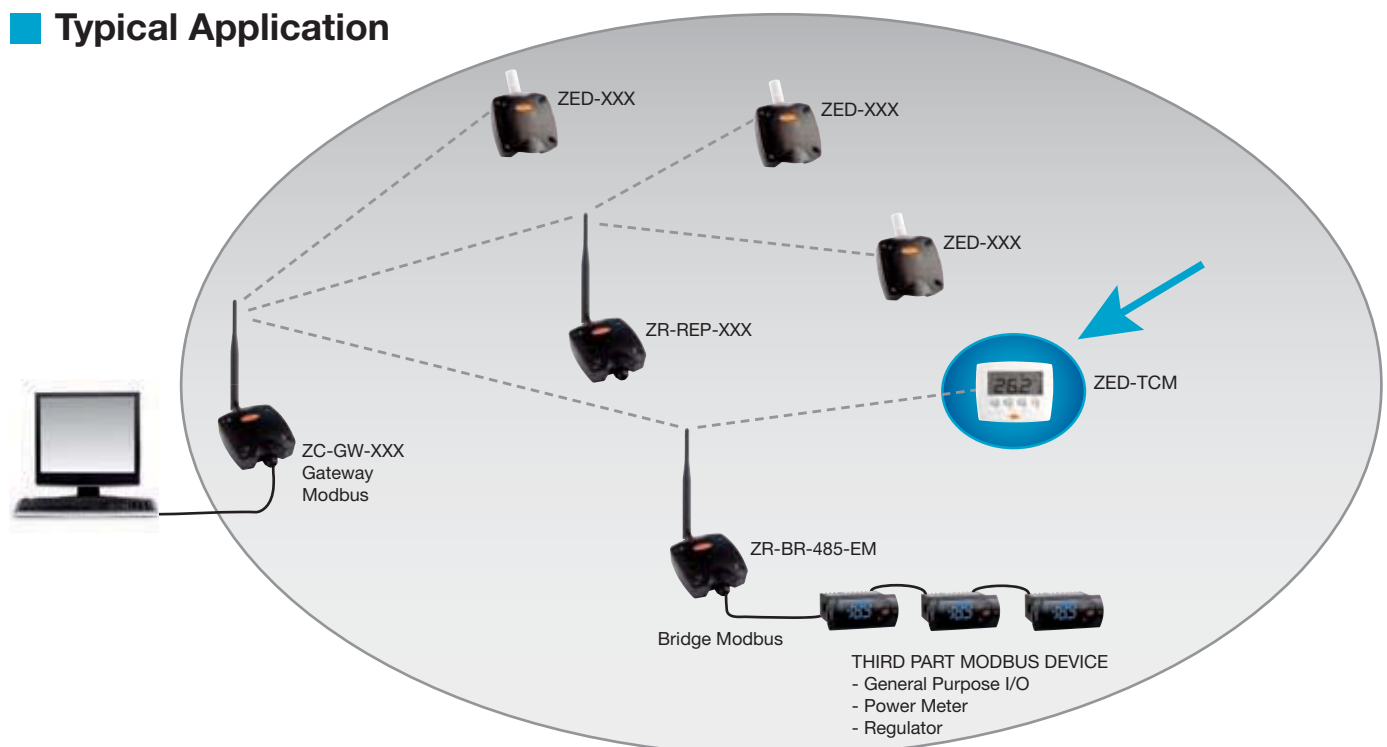
- Full remotely configurable thermostat
- Wide 3 digit display
- 4 buttons
- Battery powered
- Internal antenna

The ZED-TCM-M is a radio battery powered thermostat that can be connected to a PC-SCADA or PLC through ZigBee and one of the Gateways that belong to the 4-noks products family. It is equipped with a wide LCD display and 4 buttons in order to have a simple user interface. This thermostat has two different operating modes to activate output: heating/cooling mode or heating set temperature mode (Auto/Comfort/Background/Frost Protection).

This device periodically makes available the values of room temperature, current temperature and the operating mode currently active. All functions are remotely controllable.

The actuator must be managed from PLC or by some devices such as ZED-TIREL2. This is because this thermostat is not equipped with relay output.

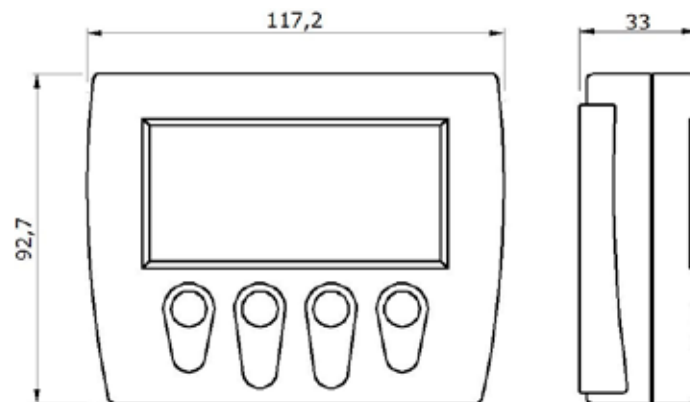
Typical Application



■ Technical Specs

General characteristics	Chip Ember EM250 Compatible IEEE 802.15.4 Stack EmberZnet 3.4.x (ZigBee PRO) Modbus/RTU Wall mounting with screws
RF characteristics	Frequency: 2405 MHz ÷ 2480 MHz Modulation: DSSS Nominal transmission power: 2mW (3 dBm) Reception sensitivity: -95 dBm Internal antenna gain: 0 dB Coverage outdoor/indoor: 100m/30m
Supply	3 AAA Batteries 1,5V Battery life: 2 years in case of one transmission every 5 minutes at 20°C
Thermostat	Auto/Comfort/Background/Frost Protection operating mode (remotely configurable) Heating/Cooling operating mode (remotely configurable) Hysteresis: -/+1°C (remotely configurable) Set temperature range +8/+32°C (remotely configurable) Temperature resolution: 0,1°C Temperature accuracy: ±1°C
Environment parameters	Operating temperature: -10 ÷ +60°C; <80% U.R. not condensing Storage temperature: -20 ÷ +70°C; <80% U.R. not condensing Degree of protection: IP 30
Compliant with 2006/95/EEC, 89/336/EEC, 99/5/EEC directives Reference Norms:	ETSI EN 300 328: Radio Compatibility for digitals wide band transmissions ETSI EN 301 489: Radio Compatibility EN 61000-6-2: Electromagnetic Compatibility - Emissions EN 61000-6-3: Electromagnetic Compatibility - Immunity EN 60950-1: Electric Safety

■ Dimensions (mm)



Rev 2.5 23/12/2009



4-noks

4-noks s.r.l.
Via Dei Gelsi, 19
31010 Godega di Sant'Urbano - Treviso - Italy
Tel. (+39) 0438.1910013
info@4-noks.com - www.4-noks.com

4-noks Distributor: