

## ZR-REP-EM ZigBee Repeater

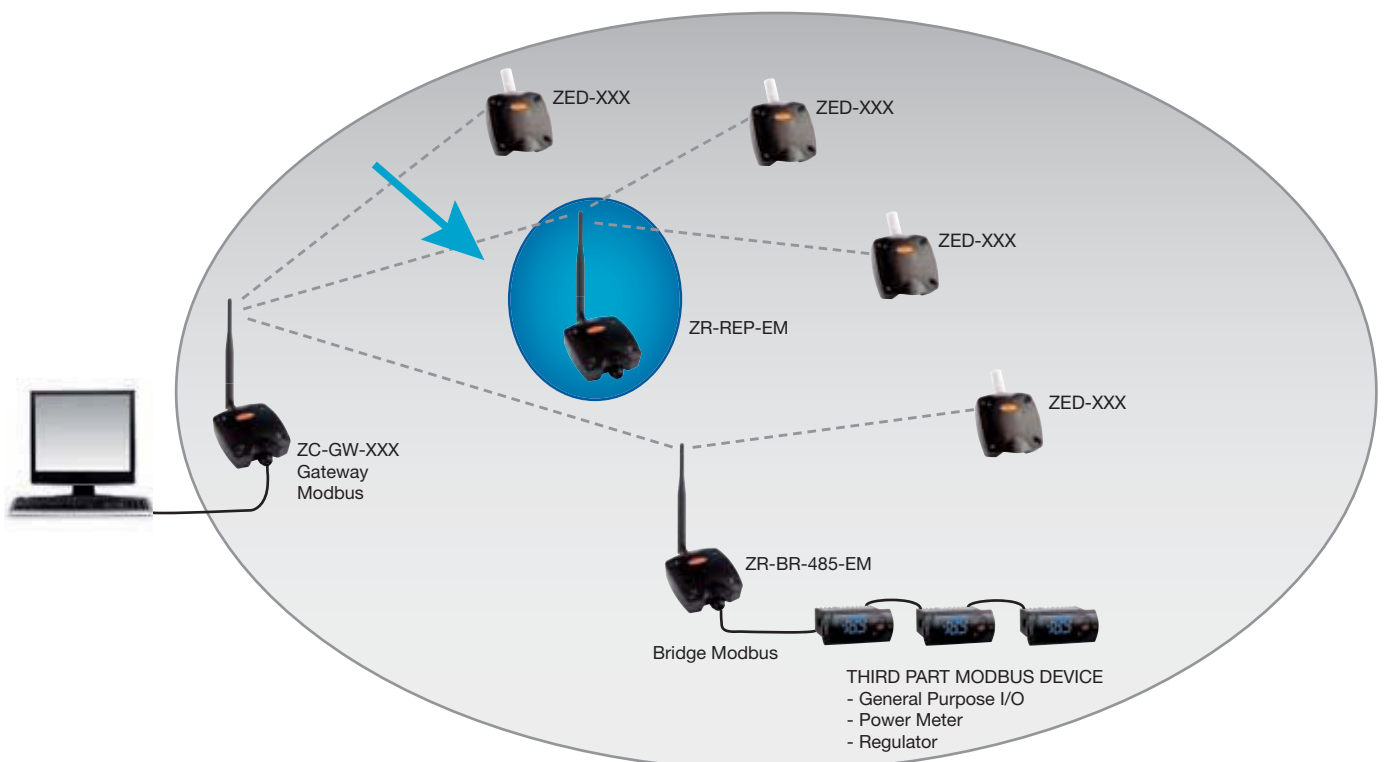


### ■ Key Features

- Repeating ZigBee messages between devices with poor link or out of coverage
- Routing function
- RF power 1mW
- External antenna
- 12/24 Vdc power supply

ZR-REP-XX has the function to extend the radio range of devices making possible to cross obstacles or long distances; it can also act as a parent device for battery-powered sensors of the same family. It doesn't need any other connections but the supply one.

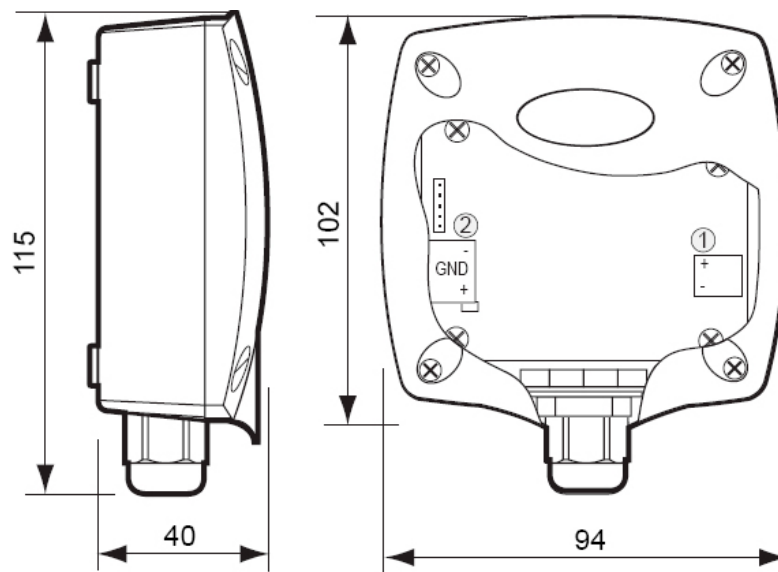
### ■ Typical Application



## Technical Specs

<b>General characteristics</b>	Chip Ember EM2420 Compatible IEEE 802.15.4 Stack EmberZnet 3.4.x (ZigBee PRO) Modbus/RTU
<b>RF characteristics</b>	Frequency: 2405 MHz ÷ 2480 MHz Modulation: DSSS Nominal transmission power: 1mW (0 dBm) Reception sensitivity: -92 dBm Extern antenna Gain: 5,5 dB Coverage outdoor/indoor: 100m/30m
<b>Supply</b>	12-24 Vcc/Vca (±10%); 100mA; 50/60Hz
<b>Connections</b>	Supply: pull out terminals (3,81 mm pitch)
<b>Environment parameters</b>	Operating temperature: -10 ÷ +60°C; <80% U.R. not condensing Storage temperature: -20 ÷ +70°C; <80% U.R. not condensing Degree of protection: IP 55
<b>Compliant with 2006/95/EEC, 89/336/EEC, 99/5/EEC directives Reference Norms:</b>	ETSI EN 300 328: Radio Compatibility for digitals wide band transmissions ETSI EN 301 489: Radio Compatibility EN 61000-6-2: Electromagnetic Compatibility - Emissions EN 61000-6-3: Electromagnetic Compatibility - Immunity EN 60950-1: Electric Safety

## Dimensions (mm)



Rev 2.4 30/09/2009

 **ZB-Connection** is a 4-noks brand

4-noks is a  **ZigBee**  
Member

**4-noks**

**4-noks Distributor:**

4-noks s.r.l.  
Via Dei Gelsi, 19  
31010 Godega di Sant'Urbano - Treviso - Italy  
Tel. (+39) 0438.1910013 - info@4-noks.com