

ZR-TIREL2-EM

ZigBee module with relay



Key Features

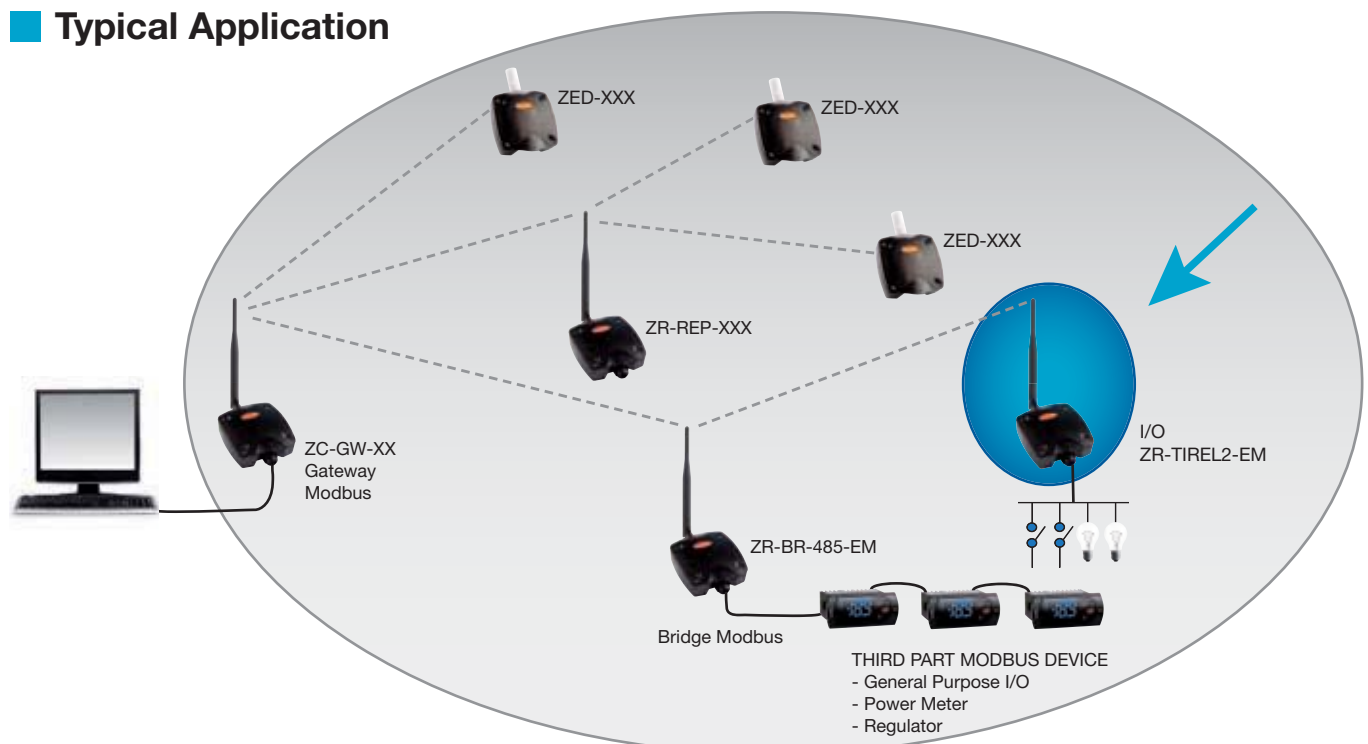
- 2 relay outputs 250V/5A
- 2 digital inputs
- 1 thermal resistor input (NTC resistor not included)
- Programmable thermostat function
- Routing function
- 24Vdc/Vac supply
- External antenna

ZR-TIREL2-EM is provided with a thermal resistor input, two digital inputs and two relay outputs. It can perform the function of thermostat in programmable warm-cold operating mode with relay outputs and manages alarms based on preconfigured thresholds. Moreover it sends data at regular intervals to a Gateway belonging to the 4-noks products family.

The thermostat functionality may be disabled; in this situation inputs and outputs are directly managed by PLC or SCADA connected to the Gateway.

The device is supplied at 24Vdc/24Vac continuously; therefore it can also act as a repeater or a parent device for battery-powered sensors.

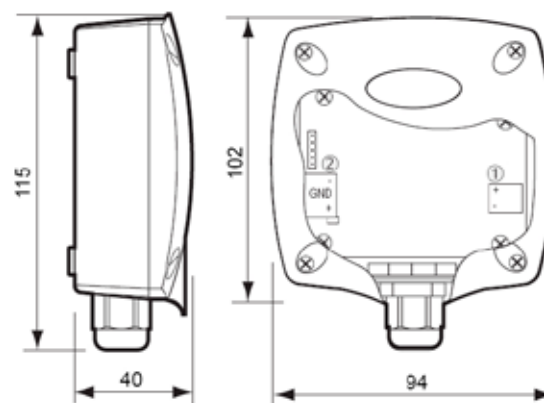
Typical Application



■ Technical Specs

General characteristics	Chip Ember EM2420 Compatible IEEE 802.15.4 Stack EmberZnet 3.4.x (ZigBee PRO) Modbus/RTU Device address settable via internal dip-switch Wall mounting with screws Cable gland: PG9
RF characteristics	Frequency: 2405 MHz ÷ 2480 MHz Modulation: DSSS Nominal transmission power: 1mW (0 dBm) Receiver sensitivity: -92 dBm Extern antenna Gain: 5,5 dB Range outdoor/indoor: 100m/30m
Power Supply	24Vcc/Vca (±10%); 100mA; 50/60Hz
NTC thermal resistors input	NTC sensor 103AT type (R25 = 10 KOhm; Beta = 3435K) Measurement range: -50°C ÷ +100°C Measurement resolution: 0,1°C Measurement accuracy: ±0,5°C
Digital inputs	Electronic type not insulated inputs for clean contact Short circuit current 0,01mA. Use self-cleaning contact
Relay	Coil 24Vdc Contacts 250V/5A
Connections	Pull out terminals (3,81 mm pitch)
Environment parameters	Operating temperature: -10 ÷ +60°C; <80% U.R. not condensing Storage temperature: -20 ÷ +70°C; <80% U.R. not condensing Degree of protection: IP 55
Compliant with 2006/95/EEC, 89/336/EEC, 99/5/EEC directives Reference Norms:	ETSI EN 300 328: Radio Compatibility for digitals wide band transmissions ETSI EN 301 489: Radio Compatibility EN 61000-6-2: Electromagnetic Compatibility - Emissions EN 61000-6-3: Electromagnetic Compatibility - Immunity EN 60950-1: Electric Safety

■ Dimensions (mm)



Rev 2.4 30/09/2009

 **ZB-Connection** is a 4-noks brand

4-noks is a  **ZigBee**
Member

4-noks

4-noks Distributor:

4-noks s.r.l.
Via Dei Gelsi, 19
31010 Godega di Sant'Urbano - Treviso - Italy
Tel. (+39) 0438.1910013 - info@4-noks.com